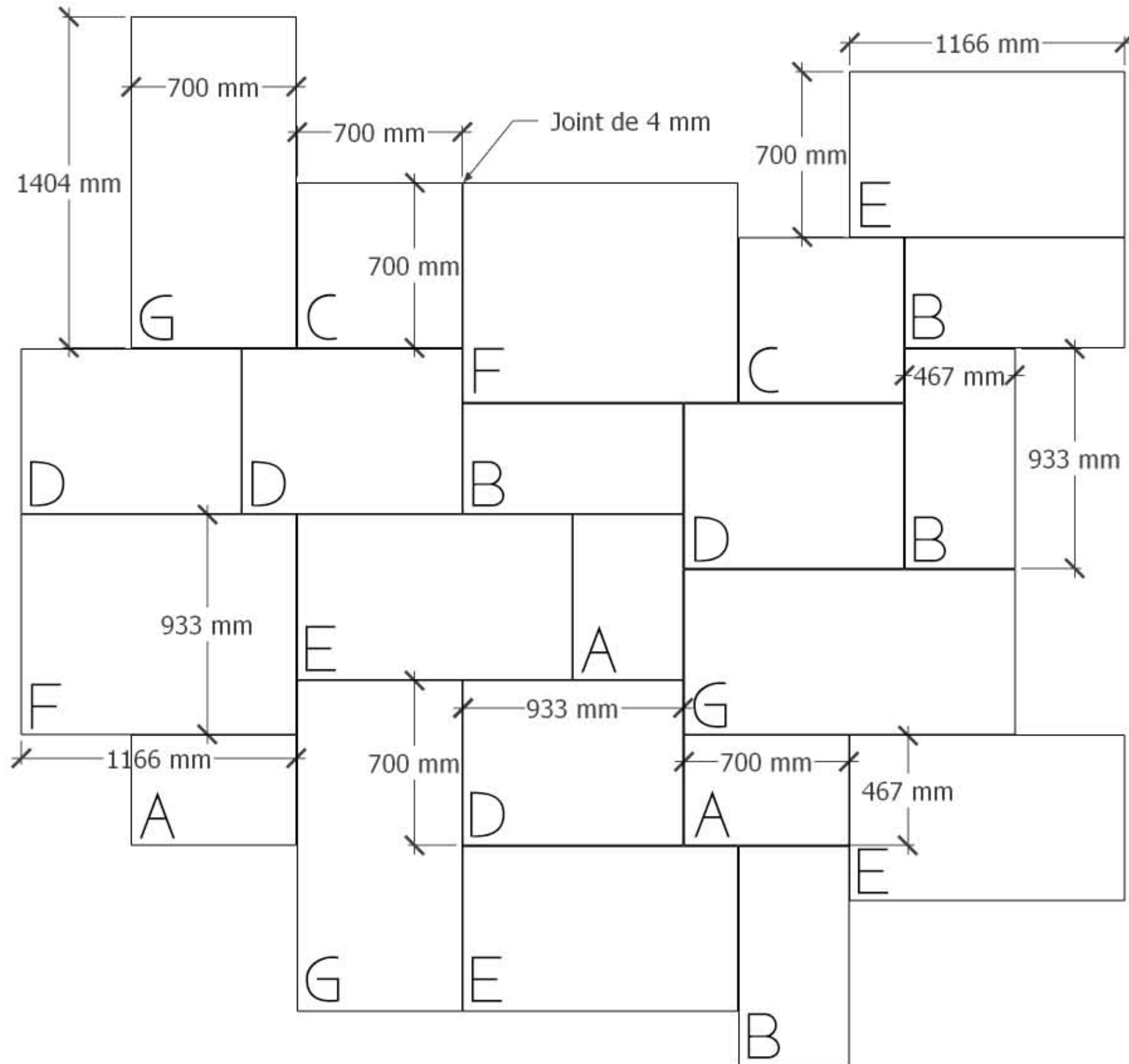


Historic castle pattern



- A = 700 x 467 mm // 3 pcs
- B = 933 x 467 mm // 4 pcs
- C = 700 x 700 mm // 2 pcs
- D = 933 x 700 mm // 4 pcs
- E = 1166 x 700 mm // 4 pcs
- F = 1166 x 933 mm // 2 pcs
- G = 1404 x 700 mm // 3 pcs

14,7 m² / 22 pcs / module

Recommended joint = 4mm



NATURAL STONE
CONSULTING